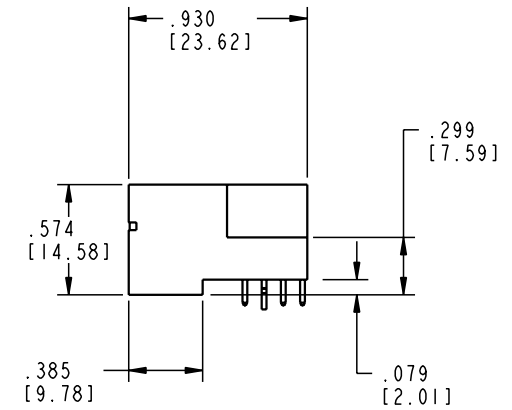
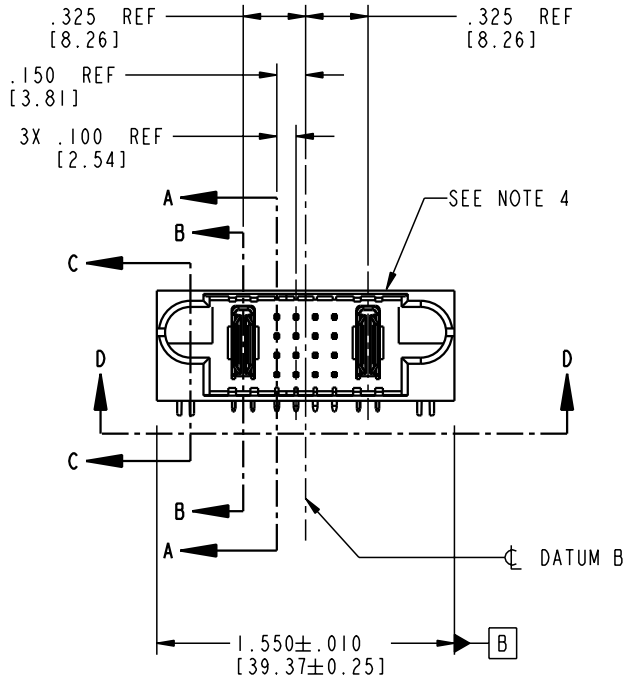
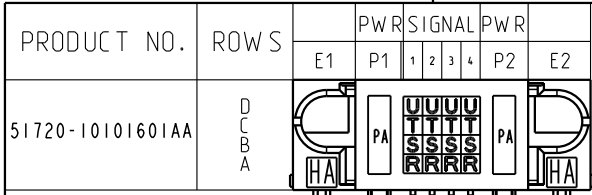


Tous droits strictement réservés. Reproduction ou communication o des tiers interdite sous quelque forme que ce soit sans autorisation écrite du propriétaire. Propriété de c FCI. Droits de reproduction FCI.

All rights strictly reserved. Reproduction or issue to third parties in any form whenever is not permitted without written authority from the proprietor. Property of FCI. Copyright FCI.



CODE	DIM "M" MATING LENGTH	CONTACT TYPE
R	.270 [6.86]	SIGNAL
S	.270 [6.86]	SIGNAL
T	.270 [6.86]	SIGNAL
U	.270 [6.86]	SIGNAL
PA	N/A [N/A]	POWER
HA	N/A [N/A]	HOLD-DOWN

mat'l code				SEE NOTE 2		tolerances unless otherwise specified		CUSTOMER		 www.fciconnect.com		
ltr	ecn no.	dr	date	linear	.XX±.01/0.XX±0.3		COPY		 title IP + 16S + IP			
A	V11162	JWS	02-06-01		.XXX±.005/0.XX±0.13		projection		RIGHT ANGLE SOLDER HEADER			
B	V12844	DAI	12-27-01		.XXX±.0020/0.XX±0.051		 product family PwrBlade code 213					
C	V21139	CGD	07/16/02		° ± 2°		 size dwg no 51720-10101601AA sheet 1 of 4					
sheet index				revision sheet		C	C	C	C	scale 1:1 cage code 22526		

Pro/E

PDM: Rev:C

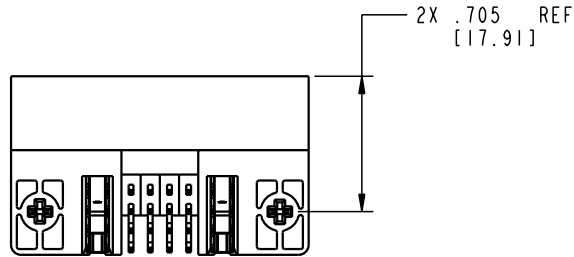
STATUS: Released

Printed: Aug 12, 2007

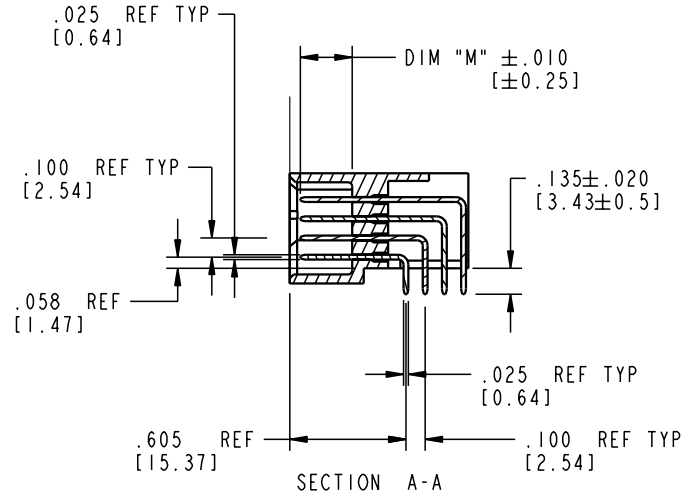
Tous droits strictement réservés. Reproduction ou communication o des tiers interdite sous quelque forme que ce soit sans autorisation écrite du propriétaire. Propriete de c FCI. Droits de reproduction FCI.

All rights strictly reserved. Reproduction or issue to third parties in any form, whatever is not permitted without written authority from the proprietor. Property of FCI. Copyright FCI.

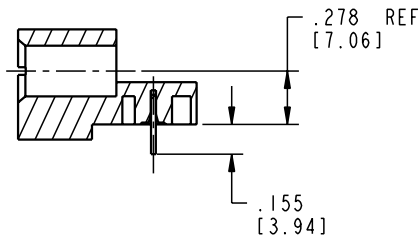
PRODUCT NUMBER
51720-10101601AA



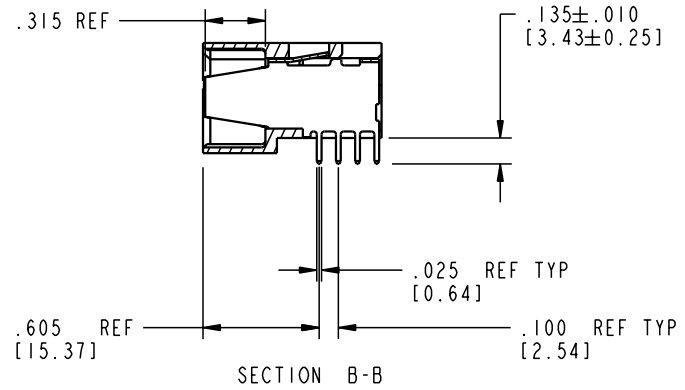
SECTION D-D




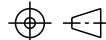
SECTION A-A



SECTION C-C



SECTION B-B

mat'l code				SEE NOTE 2		tolerances unless otherwise specified		CUSTOMER		 www.fciconnect.com	
ltr	ecn no.	dr	date	linear	.XX±.01/0.X±0.3		COPY		title		
C					.XXX±.005/0.XX±0.13		projection		IP + 16S + IP		
					.XXXX±.0020/0.XXX±0.051				RIGHT ANGLE SOLDER HEADER		
					angles	0° ± 2°		INCH/MM		product family	
				dr	J. SHAFFER	04-06-01	scale		PwrBlade		code
				engr	J. ALLISON	04-06-01	1:1		size		213
				chr	J. ALLISON	04-06-01			dwg no		sheet
				appd	J. ALLISON	04-06-01			A 51720-10101601AA		2 of 4
sheet index		revision sheet									

Pro/E

cage code 22526

PDM: Rev:C

STATUS: Released

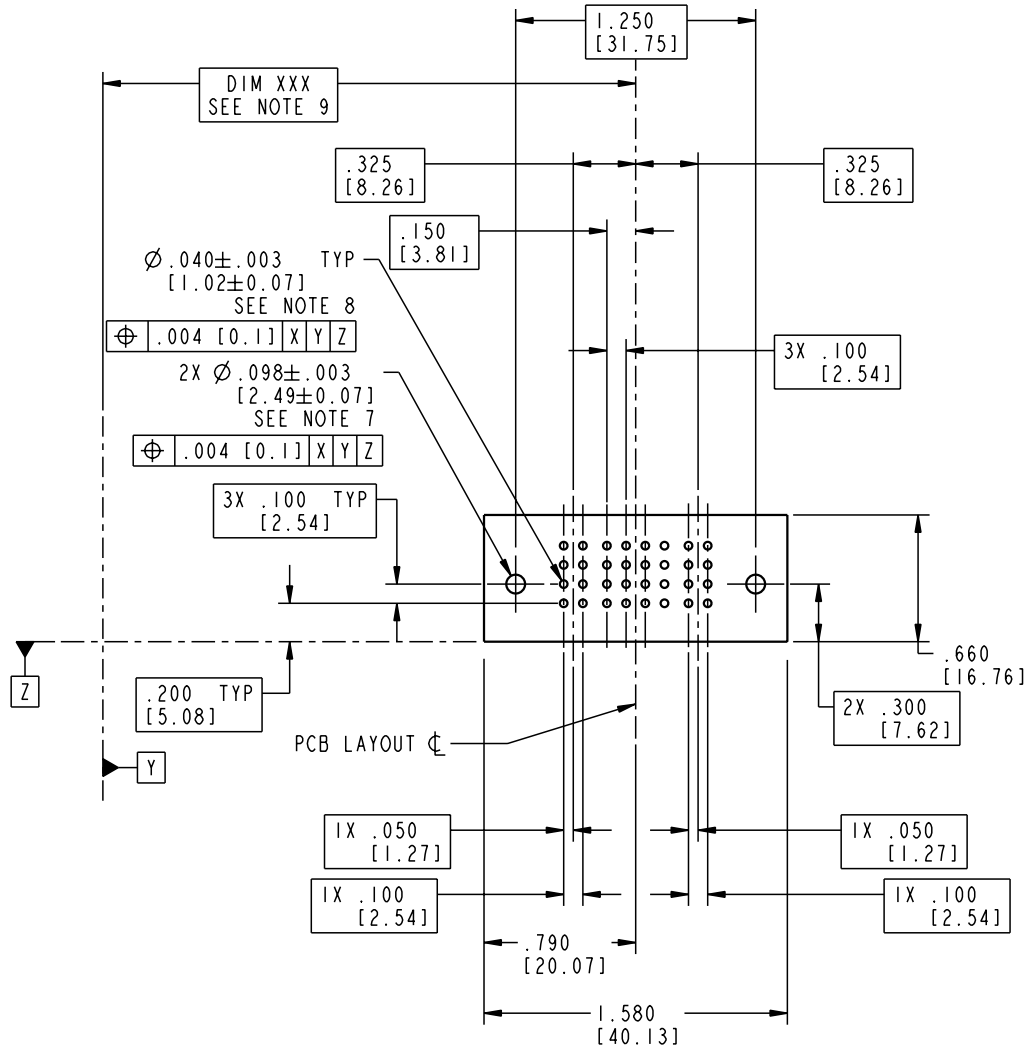
Printed: Aug 12, 2007

Tous droits strictement reserves. Reproduction ou communication a des tiers interdite sous quelque forme que ce soit sans autorisation écrite du propriétaire. Propriete de c FCI. Droits de reproduction FCI.



All rights strictly reserved. Reproduction or issue to third parties in any form whatever is not permitted without written authority from the proprietor. Property of FCI. Copyright FCI.

PRODUCT NUMBER
51720-10101601AA



RECOMMENDED PCB LAYOUT

mat'l code				SEE NOTE 2		tolerances unless otherwise specified		CUSTOMER		 www.fciconnect.com	
ltr	ecn no.	dr	date	linear	.XX±.01/0.X±0.3	projection	COPY		title		
C				angles	.XXX±.005/0.XX±0.13		IP + 16S + IP		RIGHT ANGLE SOLDER HEADER		
				dr	.XXX±.0020/0.XXX±0.051		INCH/MM		product family		code
				enr	J. SHAFFER 04-06-01	scale	1:1		PwrBlade		213
				chr	J. ALLISON 04-06-01				size		sheet
				appd	J. ALLISON 04-06-01				A 51720-10101601AA		3 of 4
sheet index	revision sheet										

Pro/E

cage code 22526

PDM: Rev:C

STATUS: Released

Printed: Aug 12, 2007

Tous droits strictement réservés. Reproduction ou communication o des tiers interdite sous quelque forme que ce soit sans autorisation écrite du propriétaire. Propriete de c FCI. Droits de reproduction FCI.

All rights strictly reserved. Reproduction or issue to third parties in any form, whenever is not permitted without written authority from the proprietor. Property of FCI. Copyright FCI.



PRODUCT NUMBER
51720-10101601AA

NOTES:

1. DIMENSIONS AND TOLERANCES ARE IN ACCORDANCE WITH ASME Y14.5M, 1994 UNLESS OTHERWISE SPECIFIED.

CONNECTORS NOTES:

② HOUSING MATERIAL: UL 94 V-0 GLASS FILLED HIGH TEMP THERMO PLASTIC
POWER CONTACT MATERIAL: COPPER ALLOY
SIGNAL PIN MATERIAL: COPPER ALLOY

3. PLATING:

SIGNAL PINS: 30u"/0.76um Au OVER 50u"/1.27um Ni
POWER CONTACTS: 50u"/1.27um Ni UNDER ALL WITH 30u"/0.76um Au ON CONTACT AREA AND SnPb ON PCB INTERFACE

④ "MANUFACTURER" NAME, P/N, AND DATE CODE TO APPEAR ON THIS SURFACE.

5. PRODUCT SPECIFICATION GS-12-149.

PCB - NOTES:

6. ALL HOLE DIAMETERS ARE FINISHED HOLE SIZE.

⑦ HOLD DOWN THROUGH HOLES ARE UNPLATED.

⑧ $\varnothing .0453 \pm .0010$ [1.151 \pm 0.025] DRILLED HOLES PLATED WITH .0003 [0.008] MIN SnPb OVER .001 [0.03] TO .003 [0.08] Cu PLATING TO ACHIEVE $\varnothing .040 \pm .003$ [1.02 \pm .07] HOLE.

⑨ "DIM XXX" TO BE DETERMINED BY THE CUSTOMER.

mat'l code		SEE NOTE 2		tolerances unless otherwise specified		CUSTOMER		www.fciconnect.com		
ltr	ecn no.	dr	date	linear	.XX±.01/0.X±0.3		COPY			title IP + 16S + IP RIGHT ANGLE SOLDER HEADER
C					.XXX±.005/0.XX±0.13		INCH/MM			
				angles	.XXX±.0020/0.XXX±0.051		scale		product family	code
				dr	J. SHAFFER	04-06-01	1:1		PwrBlade	213
				enr	J. ALLISON	04-06-01			size	sheet
				chr	J. ALLISON	04-06-01			dwg no	4 of 4
				appd	J. ALLISON	04-06-01			A	51720-10101601AA
sheet index	revision sheet									

1 | 2

Pro/E

3 |

cage code 22526

4

PDM: Rev:C

STATUS: Released

Printed: Aug 12, 2007